

Serial number: from 01001 to 09047

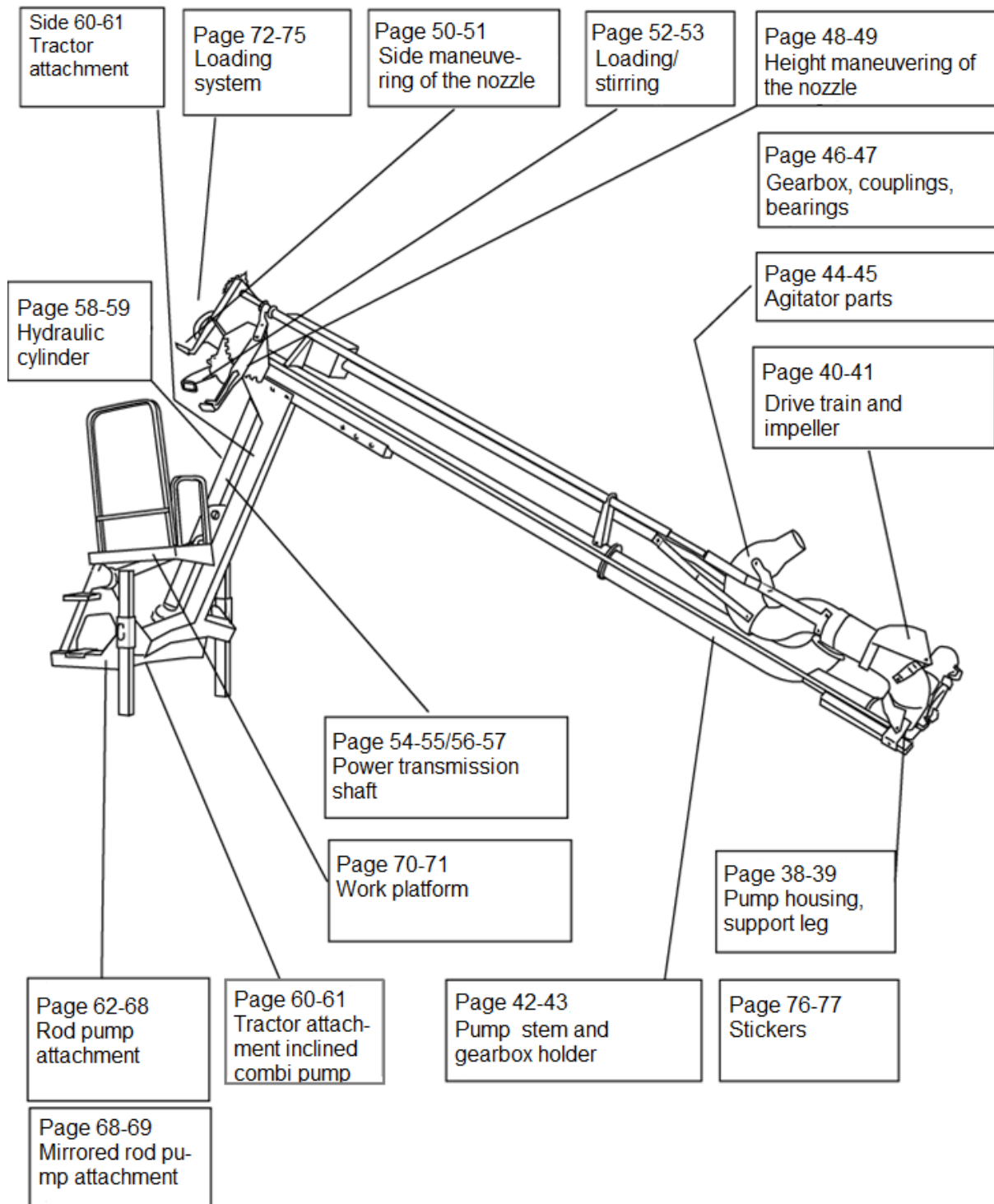


Spare parts catalogue

DUUN

Slurry pump SP200

Edition: 0703





Spare parts catalogue

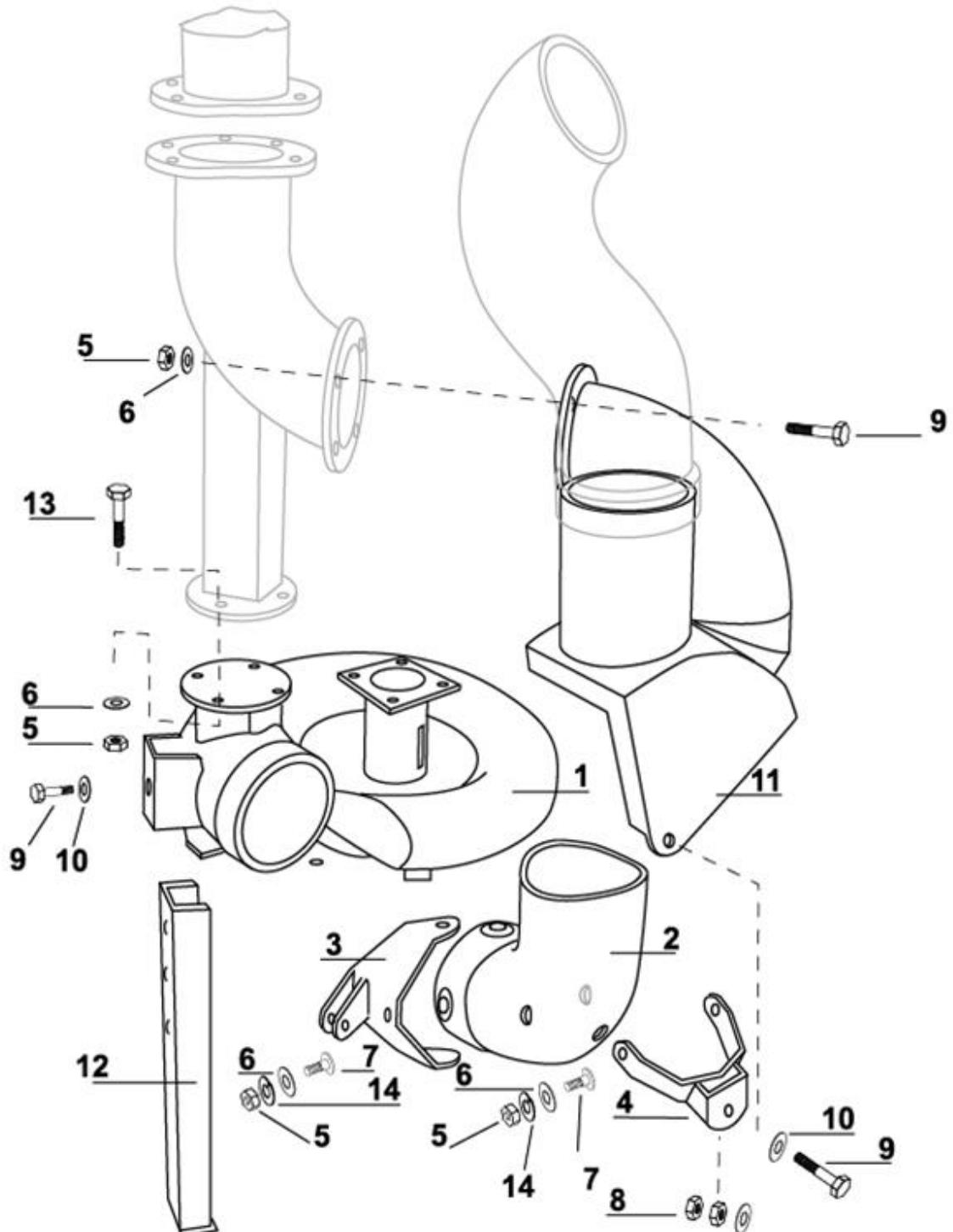
DUUN

Slurry pump SP200

Group: 131-2-3

Pump housing, support leg

Edition: 0205





Spare parts catalogue

DUUN

Slurry pump SP200

| | | |
|----------------|---------------------------|---------------|
| Group: 131-2-3 | Pump housing, support leg | Edition: 0205 |
|----------------|---------------------------|---------------|

| Pos.no. | Qty. | Designation | Article no. | Comment |
|---------|------|-----------------------------------------|-------------|---------|
| 1 | 1 | Pump housing | 1312330 | |
| 2 | 1 | Outlet bend | 2245092 | |
| 3 | 1 | Attachment for struts, stirring/loading | 1312370 | |
| 4 | 1 | Rotation attachment for bends | 1312374 | |
| 5 | 10 | Nut M10 hot galvanized | 2281810 | |
| 6 | 10 | Washer M10 hot galvanized | 2539060 | |
| 7 | 6 | Locking head screw M10x30 | 2444312 | |
| 8 | 2 | Nut M10 hot galvanized | 2481811 | |
| 9 | 2 | Hex screw M12x35 hot galvanized | 2427350 | |
| 10 | 3 | Washer M12 hot galvanized | 2539069 | |
| 11 | 1 | Shift box | 1312336 | |
| 12 | 1 | Support leg | 1311803 | |
| 13 | 8 | Hex screw M12x30 hot galvanized | 2427299 | |
| 14 | 6 | Spring washer M10 hot galvanized | 2539000 | |



Spare parts catalogue

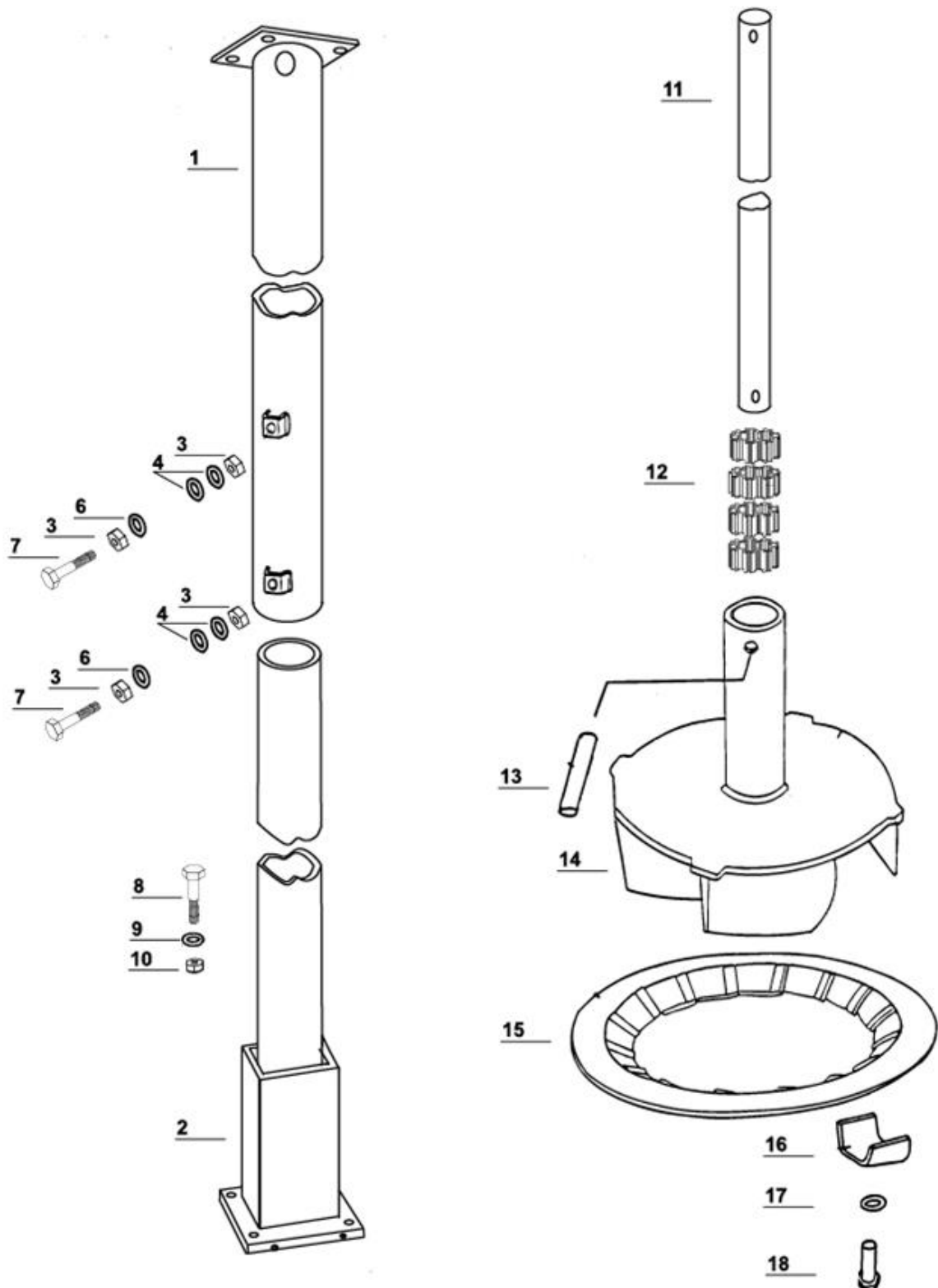
DUUN

Slurry pump SP200

Group: 131-2-3

Drive tain and impeller

Edition: 0205





Spare parts catalogue

DUUN

Slurry pump SP200

| | | |
|----------------|--------------------------|---------------|
| Group: 131-2-3 | Drive train and impeller | Edition: 0205 |
|----------------|--------------------------|---------------|

| Pos.no. | Qty. | Designation | Article no. | Comment |
|---------|------|------------------------------------|-------------|---------|
| 1 | 1 | Upper cover pipe for shaft | 1311807 | |
| 2 | 1 | Lower cover tube for shaft | 1311808 | |
| 3 | 4 | Hexagon nut M10 acid ref. | 2489410 | |
| 4 | 8 | Plastic washer w/collar Ø11,9/10,2 | 2245015 | |
| 6 | 2 | Washer M10 acid ref. | 2537060 | |
| 7 | 2 | Hex screw M10x40 acid ref. | 2429303 | |
| 8 | 4 | Hex screw M10x30 hot galvanized | 2427299 | |
| 9 | 4 | Washer M10 hot galvanized | 2539060 | |
| 10 | 4 | Hex nut M10 hot galvanized | 2481810 | |
| 11 | 1 | Drive shaft Ø40 L- 3,0 m | 1312371 | |
| | | Drive shaft Ø40 L- 3,5m | 1312372 | |
| | | Drive shaft Ø40 L- 4,0 m | 1312373 | |
| 12 | 4 | Bearings for impeller | 2245028 | |
| 13 | 1 | Break pin Ø12x60 | 2527124 | |
| 14 | 1 | Impeller | 1312332 | |
| 15 | 1 | Cutting ring | 1312331 | |
| 16 | 4 | Clamp iron | 1311904 | |
| 17 | 4 | Washer M12 hot galvanized | 2539069 | |
| 18 | 4 | Hex screw M12x35 hot galvanized | 2427350 | |



Spare parts catalogue

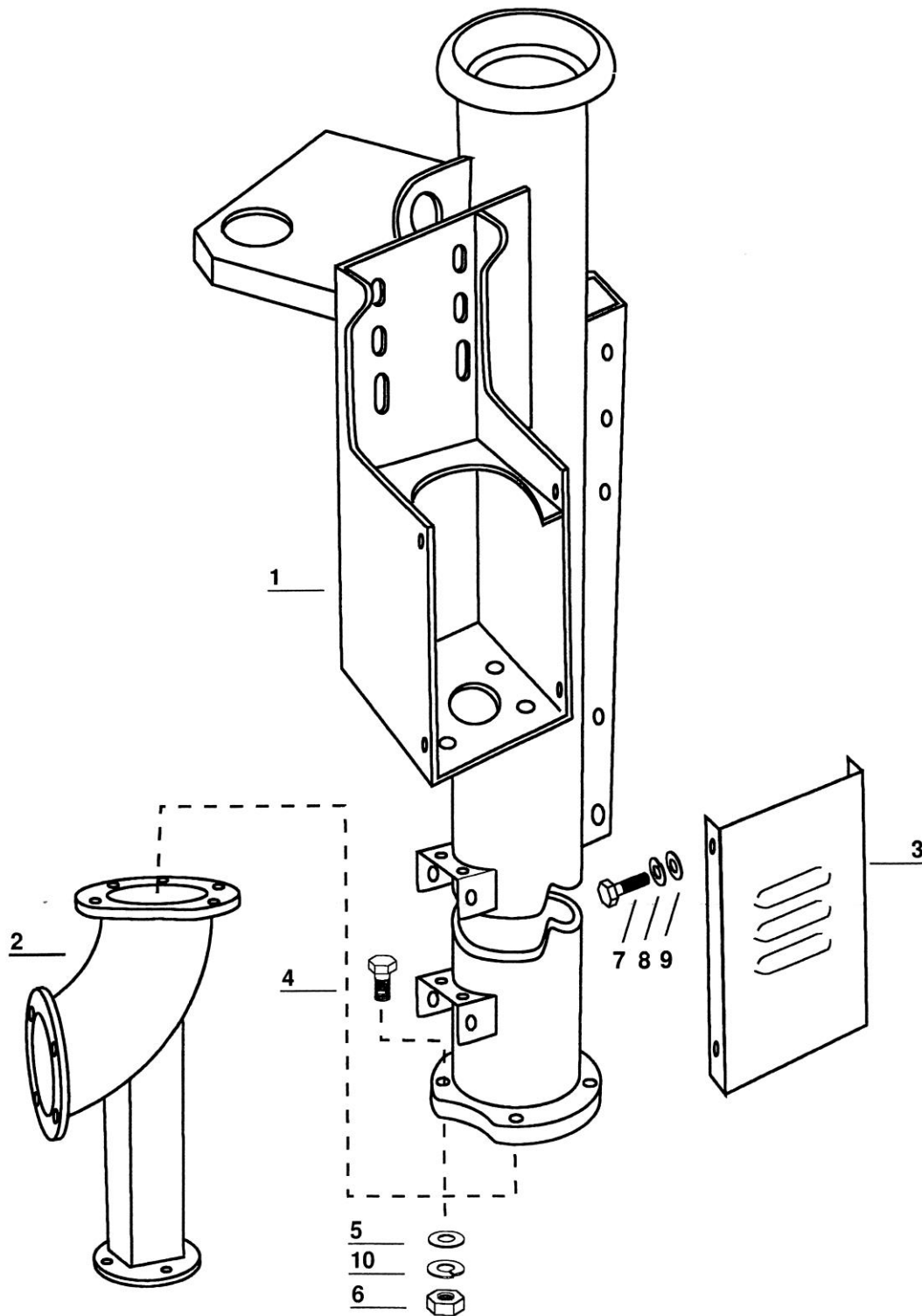
DUUN

Slurry pump SP200

Group: 131-2-3

Pump stem and gearbox holder

Edition: 0205





Spare parts catalogue

DUUN

Slurry pump SP200

| | | |
|----------------|------------------------------|---------------|
| Group: 131-2-3 | Pump stem and gearbox holder | Edition: 0205 |
|----------------|------------------------------|---------------|

| Pos.no. | Qty. | Designation | Article no. | Comment |
|---------|------|-------------------------------------|-------------|---------|
| 1 | 1 | Pump stem | 1312335 | |
| 2 | 1 | The lower loader tube L-3,0m | 1312337 | |
| | 1 | The lower loader tube L-3,5m | 1312338 | |
| | 1 | The lower loader tube L-4,0 m | 1312339 | |
| 3 | 1 | Cover over gearbox | 1312368 | |
| 4 | 6 | Hexagon screw M16x50 hot galvanized | 2427493 | |
| 5 | 6 | Washer M 16 hot galvanized | 2539078 | |
| 6 | 6 | Hexagon nut M 16 hot galvanized | 2481813 | |
| 7 | 4 | Hexagon screw M8x16 hot galvanized | 2427240 | |
| 8 | 4 | Spring washer M8 hot galvanized | 2534047 | |
| 9 | 4 | Washer M8 hot galvanized | 2539048 | |
| 10 | 6 | Spring washer M16 hot galvanized | 2539006 | |



Spare parts catalogue

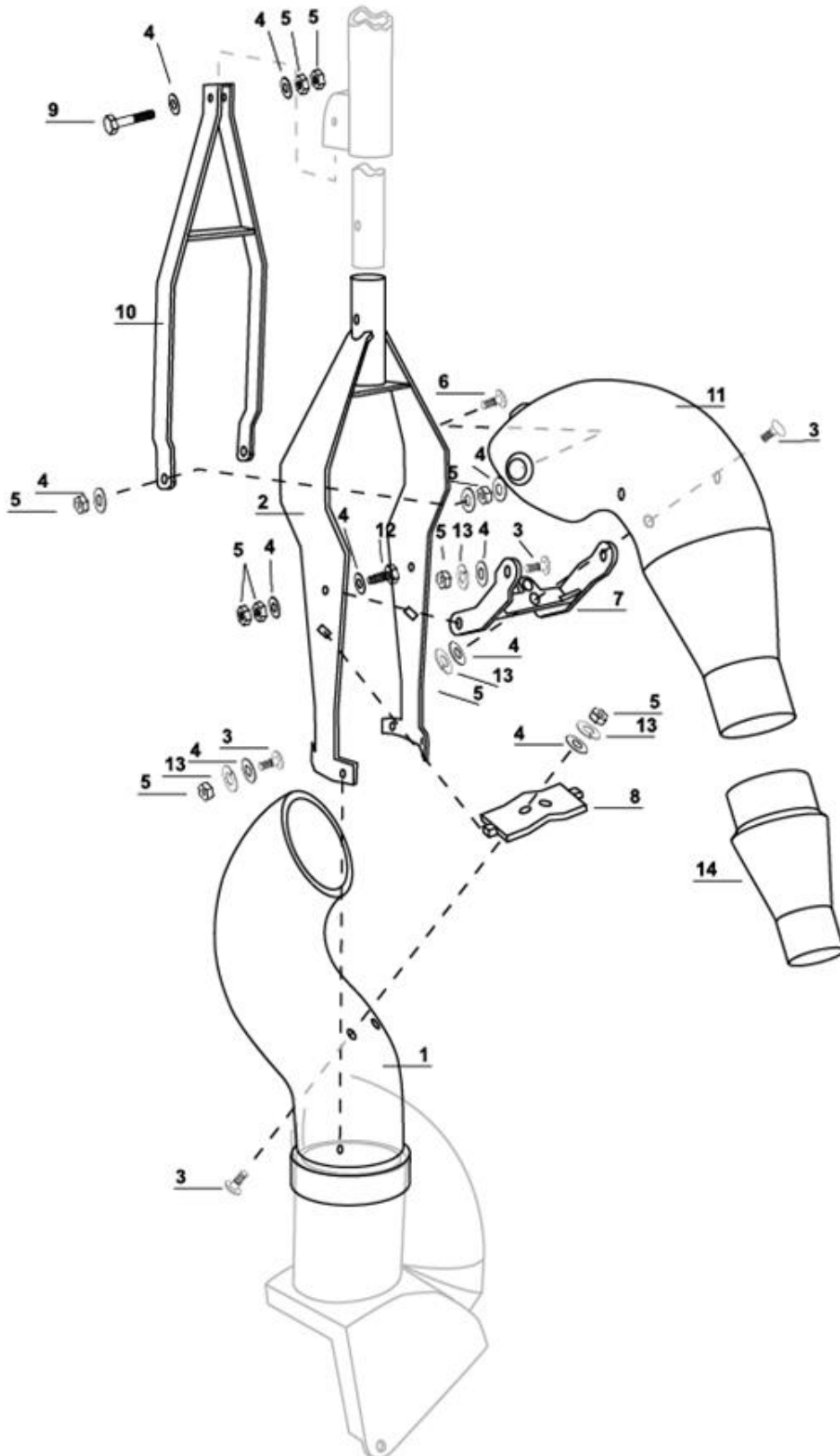
DUUN

Slurry pump SP200

Group: 131-2-3

Agitator parts

Edition: 0205





Spare parts catalogue

DUUN

Slurry pump SP200

| | | |
|----------------|----------------|---------------|
| Group: 131-2-3 | Agitator parts | Edition: 0205 |
|----------------|----------------|---------------|

| Pos.no. | Qty. | Designation | Article no. | Comment |
|---------|------|-------------------------------------------|-------------|---------|
| 1 | 1 | Lower stirring tube | 2245090 | |
| 2 | 1 | Operating part, rotation | 1312355 | |
| 3 | 9 | Locking head screw M 10x30 hot galvanized | 2444312 | |
| 4 | 21 | Washer M 10 hot galvanized | 2539060 | |
| 5 | 19 | Hexagon nut M 10 hot galvanized | 2481810 | |
| 6 | 2 | Locking head screw M 10x45 hot galvanized | 2444315 | |
| 7 | 1 | Attachment for nozzle bend | 1312356 | |
| 8 | 1 | Bracing | 1312380 | |
| 9 | 1 | Hexagon screw M10x70 hot galvanized | 2427312 | |
| 10 | 1 | Height adjustment fork | 1312357 | |
| 11 | 1 | Nozzle bend | 2245091 | |
| 12 | 2 | Hexagon screw M10x35 hot galvanized | 2427301 | |
| 13 | 9 | Spring washer M10 hot galvanized | 2539000 | |
| 14 | 1 | Nozzle Ø75 w/screws | 2245093 | |



Spare parts catalogue

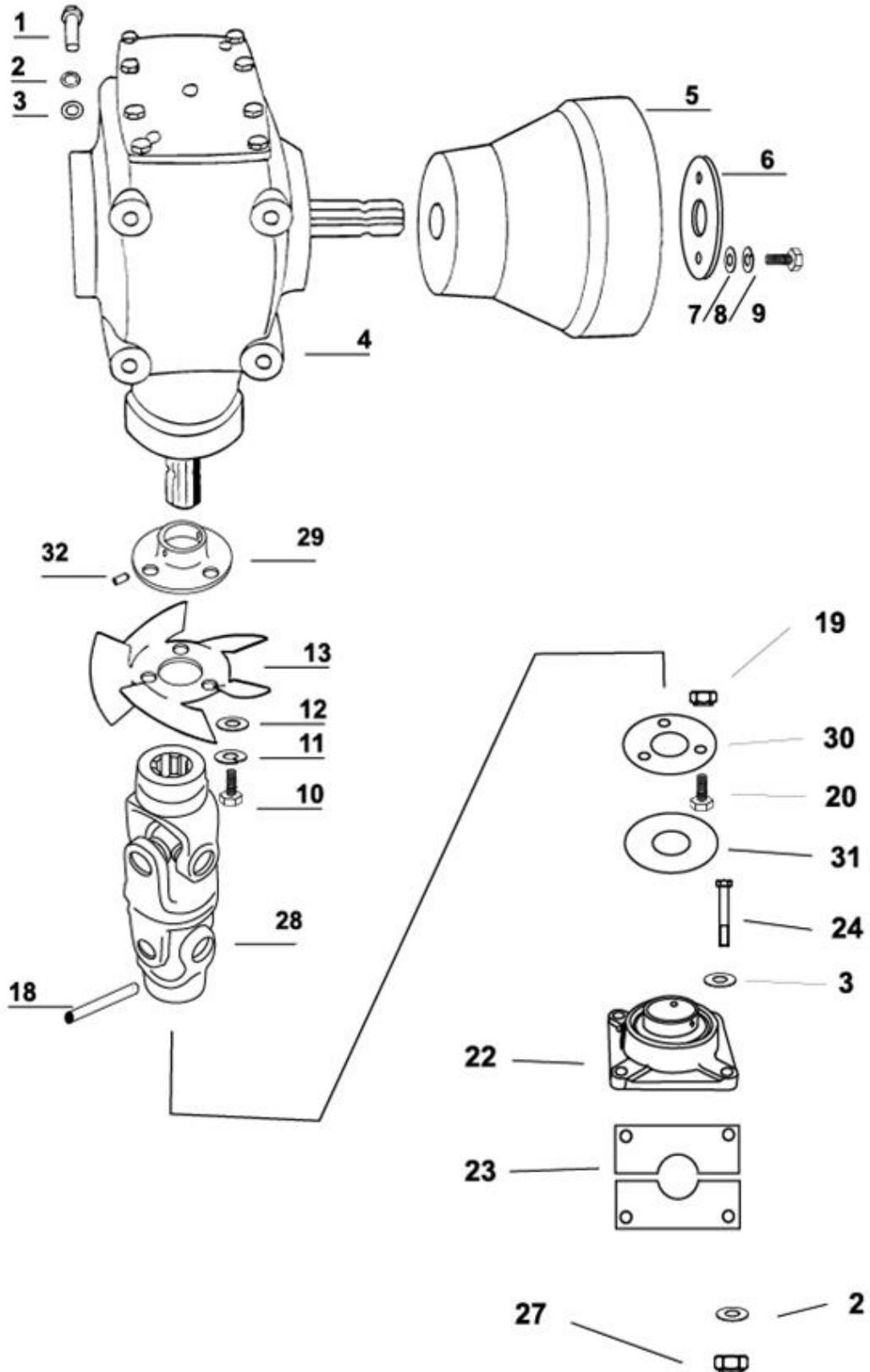
DUUN

Slurry pump SP200

Group: 131-2-3

Gearbox, couplings, bearings

Edition: 0205





Spare parts catalogue

DUUN**Slurry pump SP200**

| | | |
|----------------|------------------------------|---------------|
| Group: 131-2-3 | Gearbox, couplings, bearings | Edition: 0205 |
|----------------|------------------------------|---------------|

| Pos.no. | Qty. | Designation | Article no. | Comment |
|---------|------|-------------------------------------|-------------|------------|
| 1 | 4 | Hexagon screw M16x30 hot galvanized | 2427485 | |
| 2 | 8 | Spring washer M16 galvanized | 2534078 | to 04100 |
| 2 | 8 | Washer M14. galvanized | 2531072 | from 05001 |
| 3 | 8 | Washer M16 hot galvanized | 2539078 | to 04100 |
| 3 | 8 | Washer M14. galvanized | 2531072 | from 05001 |
| 4 | 1 | Gearbox | 2961122 | |
| 5 | 1 | Protection funnel | 2962135 | |
| 6 | 1 | Spring washer Ø125 | 1312379 | |
| 7 | 2 | Washer M8 hot galvanized | 2539048 | |
| 8 | 2 | Spring washer M8 galvanized | 2534047 | |
| 9 | 2 | Hexagon screw M8x25 hot galvanized | 2427246 | |
| 10 | 3 | Hexagon screw M6x10 galvanized | 2422196 | |
| 11 | 3 | Spring washer M6 galvanized | 2534039 | |
| 12 | 3 | Washer M6 galvanized | 2531039 | |
| 13 | 1 | Fan | 1311848 | |
| 18 | 1 | Lock pin Ø13x70 | 2527130 | |
| 19 | 1 | Bearing SNU 509 | 2954201 | |
| 20 | 3 | Hexagon screw M10x40 galvanized | 2425303 | |
| 22 | 1 | Flange bearing UCF X08 | 2954160 | to 04100 |
| 22 | 1 | Flange bearing UCF 308 | 2954162 | from 05001 |
| 23 | 2 | Sealing plate | 1311852 | |
| 24 | 4 | Hexagon screw M16x50 hot galvanized | 2427493 | to 04100 |
| 24 | 4 | Hexagon screw M14x50 8.8 galvanized | 2422402 | from 05001 |
| 27 | 4 | Hexagon nut M16 hot galvanized | 2481813 | to 04100 |
| 27 | 4 | Nut M14 8.8 locking | 2483612 | from 05001 |
| 28 | 1 | Double joints, type 50 (unbalanced) | 2962160 | |
| 29 | 1 | Attachment for fan | 1312013 | |
| 30 | 1 | Plate for adjustment | 1312014 | |
| 31 | 1 | Plate against flange bearing | 1312015 | |
| 32 | 2 | Unbraco M6x8 | 2473195 | |

Gear oil Mereta 150 - 2.5 ltr



Spare parts catalogue

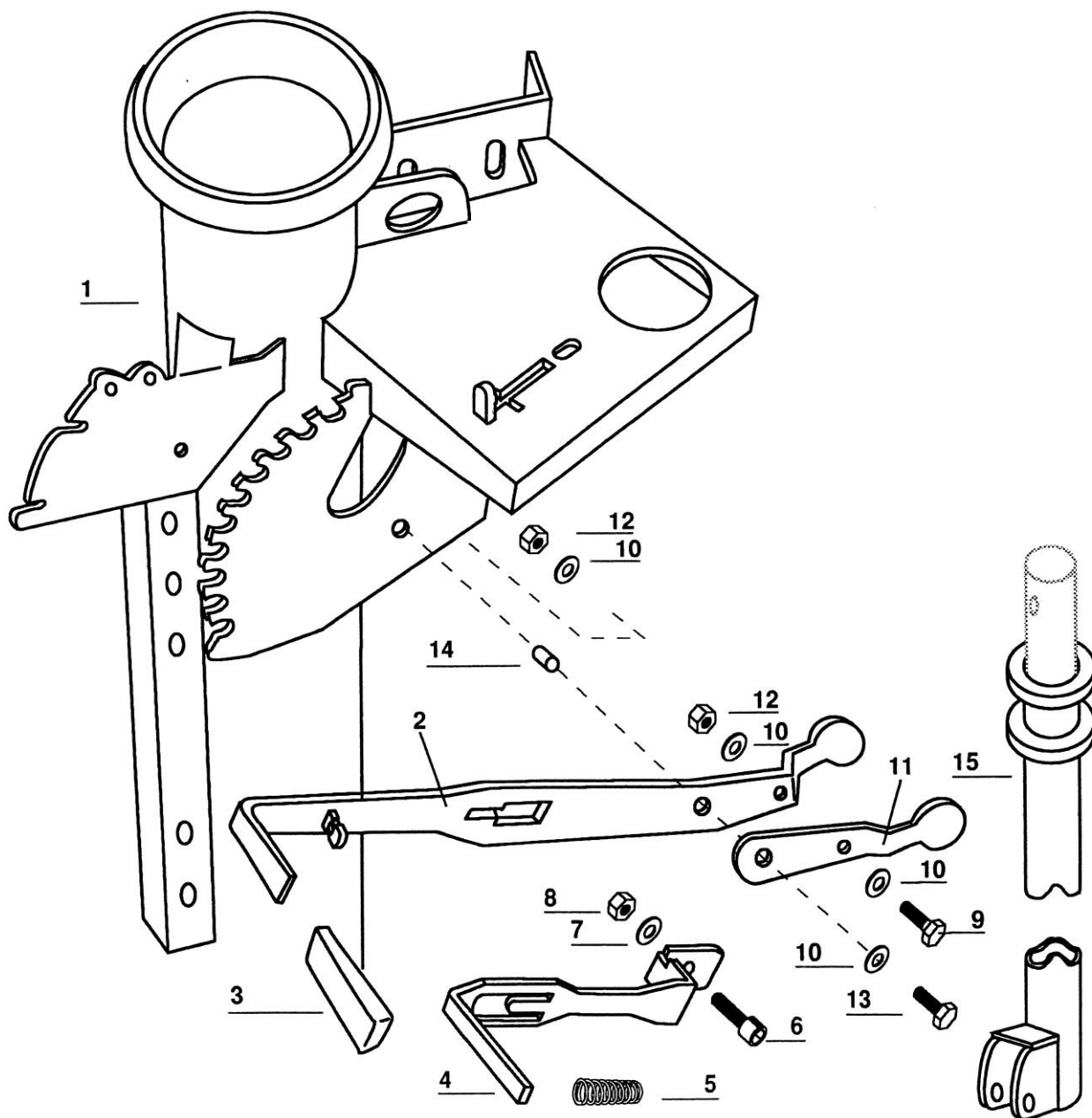
DUUN

Slurry pump SP200

Group: 131-2-3

Height maneuvering of the nozzle

Edition: 0205





Spare parts catalogue

DUUN

Slurry pump SP200

| | | |
|----------------|----------------------------------|---------------|
| Group: 131-2-3 | Height maneuvering of the nozzle | Edition: 0205 |
|----------------|----------------------------------|---------------|

| Pos.no. | Qty. | Designation | Article no. | Comment |
|---------|------|-------------------------------------|-------------|---------|
| 1 | 1 | Pump stem | 1312335 | |
| 2 | 1 | Handle, height man. of nozzle | 1312353 | |
| 3 | 1 | Plastic handle | 2245062 | |
| 4 | 1 | Locking handle | 1312354 | |
| 5 | 1 | Spring pressure Ø15x1,75 L:45 | 2912014 | |
| 6 | 1 | Unbraco M 8x16, galvanized | 2472310 | |
| 7 | 1 | Washer M8 hot galvanized | 2539048 | |
| 8 | 1 | Hexagon nut M8 lock. galvanized | 2483609 | |
| 9 | 1 | Hexagon screw M10x30 hot galvanized | 2427299 | |
| 10 | 1 | Washer M10 hot galvanized | 2539060 | |
| 11 | 1 | Part for operating fork | 1312352 | |
| 12 | 2 | Hexagon nut M10 lock. galvanized | 2483610 | |
| 13 | 1 | Hexagon screw M10x35 hot galvanized | 2428310 | |
| 14 | 1 | Bushing | 1311880 | |
| 15 | 1 | Tube for height regulation L-3,0 | 1312349 | |
| | 1 | Tube for height regulation L-3,5 | 1312350 | |
| | 1 | Tube for height regulation L-4,0 | 1312351 | |



Spare parts catalogue

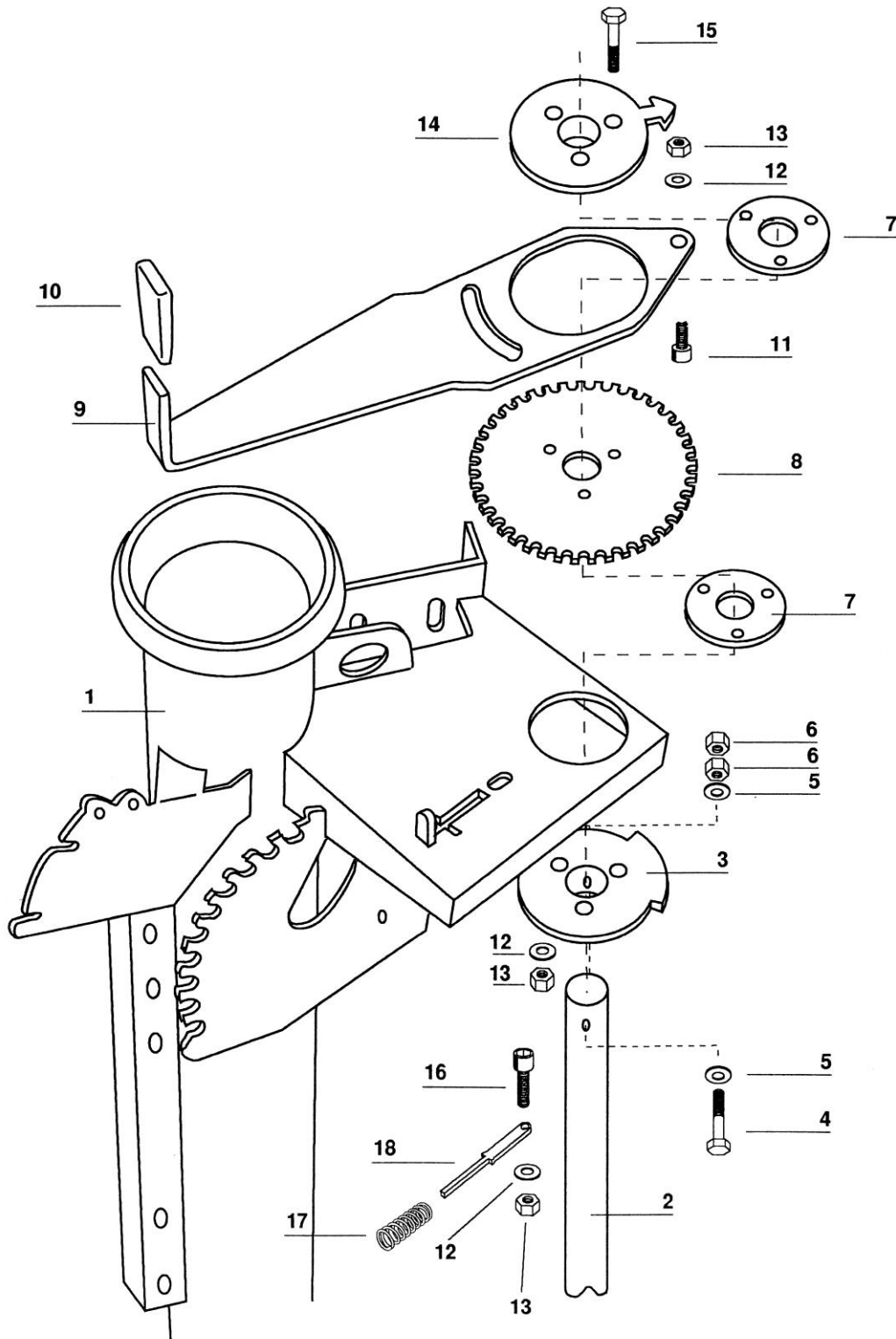
DUUN

Slurry pump SP200

Group: 131-2-3

Side maneuvering of the nozzle

Edition: 0205





Spare parts catalogue

DUUN

Slurry pump SP200

| | | |
|----------------|--------------------------------|---------------|
| Group: 131-2-3 | Side maneuvering of the nozzle | Edition: 0205 |
|----------------|--------------------------------|---------------|

| Pos.no. | Qty. | Designation | Article no. | Comment |
|---------|------|-------------------------------------|-------------|---------|
| 1 | 1 | Pump stem | 1312335 | |
| 2 | 1 | Strut for rotation L-3,0 | 1312346 | |
| | 1 | Strut for rotation L-3,5 | 1312347 | |
| | 1 | Strut for rotation L-4,0 | 1312348 | |
| 3 | 1 | Rotation attachment for strut | 1312340 | |
| 4 | 1 | Hexagon screw M10x70 hot galvanized | 2427312 | |
| 5 | 2 | Washer M10 hot galvanized | 2539060 | |
| 6 | 2 | Hexagon nut M10 hot galvanized | 2481810 | |
| 7 | 2 | Spacer plate | 1312343 | |
| 8 | 1 | Cog wheel | 1312344 | |
| 9 | 1 | Handle for regulating rotation | 1312341 | |
| 10 | 1 | Plastic handle | 2245062 | |
| 11 | 1 | Unbraco M 8x16, galvanized | 2472310 | |
| 12 | 5 | Washer M8 hot galvanized | 2539048 | |
| 13 | 5 | Hexagon nut M8 lock. galvanized | 2483609 | |
| 14 | 1 | Rotation direction indicator | 1312342 | |
| 15 | 3 | Hexagon screw M8x50 hot galvanized | 2427256 | |
| 16 | 1 | Unbraco M 8x25, galvanized | 2472315 | |
| 17 | 1 | Spring pressure Ø15x1,75 L:45 | 2912014 | |
| 18 | 1 | Lock pin rotation | 1312345 | |



Spare parts catalogue

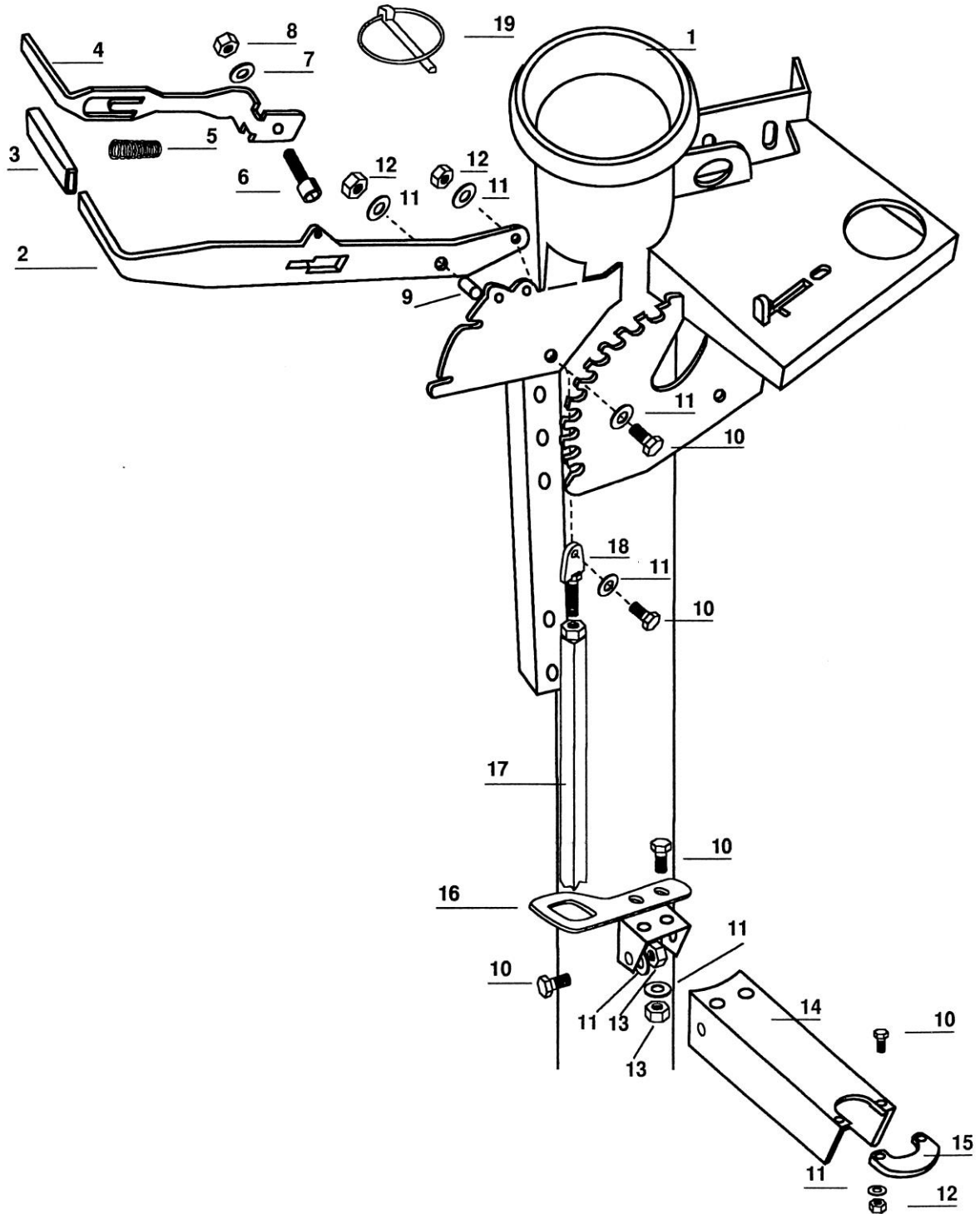
DUUN

Slurry pump SP200

Group: 131-2-3

Loading/stirring

Edition: 0205





Spare parts catalogue

DUUN

Slurry pump SP200

| | | |
|----------------|------------------|---------------|
| Group: 131-2-3 | Loading/stirring | Edition: 0205 |
|----------------|------------------|---------------|

| Pos.no. | Qty. | Designation | Article no. | Comment |
|---------|------|-------------------------------------|-------------|---------|
| 1 | 1 | Pump stem | 1312335 | |
| 2 | 1 | Handle, loading/ stirring | 1312375 | |
| 3 | 1 | Plastic handle | 2245062 | |
| 4 | 1 | Locking handle | 1312354 | |
| 5 | 1 | Spring pressure Ø15x1,75 L:45 | 2912014 | |
| 6 | 1 | Unbraco M 8x16, galvanized | 2472310 | |
| 7 | 1 | Washer M8 hot galvanized | 2539048 | |
| 8 | 1 | Hexagon nut M8 lock. galvanized | 2483609 | |
| 9 | 1 | Bushing | 1311880 | |
| 10 | 1 | Hexagon screw M10x30 hot galvanized | 2427299 | |
| 11 | 10 | Washer M10 hot galvanized | 2539060 | |
| 12 | 2 | Hexagon nut M10 lock. galvanized | 2483610 | |
| 13 | 6 | Hexagon nut M10 hot galvanized | 2481810 | |
| 14 | 1 | Support for strut (L- 3,4 og L-4,4) | 1312383 | |
| 15 | 1 | Locking plate for strut | 1312381 | |
| 16 | 1 | Steering for strut | 1312382 | |
| 17 | 1 | Strut, loading/stirring L-3,0 | 1312359 | |
| | 1 | Strut, lasting/stirring L-3,5 | 1312360 | |
| | 1 | Strut, lasting/stirring L-4,0 | 1312361 | |
| 18 | 1 | Adjustment screw for strut | 1312358 | |
| 19 | 1 | Locking pin w/chain 10x45 | 2556127 | |



Spare parts catalogue

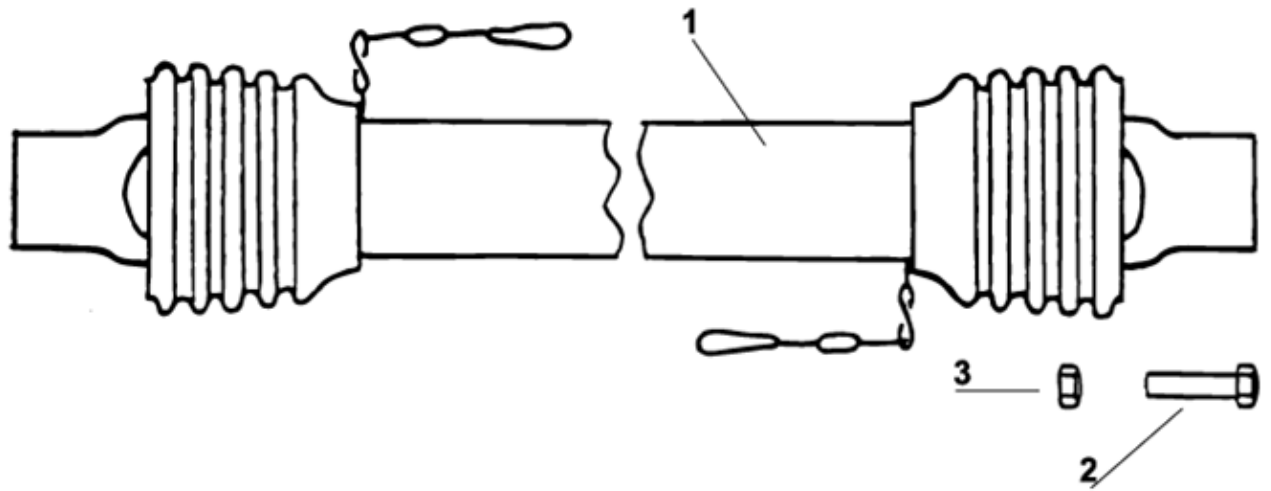
DUUN

Slurry pump SP200

Group: 131-2-3

Power transmission shaft rod pump

Edition: 0205





Spare parts catalogue

DUUN

Slurry pump SP200

| | | |
|----------------|-----------------------------------|---------------|
| Group: 131-2-3 | Power transmission shaft rod pump | Edition: 0205 |
|----------------|-----------------------------------|---------------|

| Pos.no. | Qty. | Designation | Article no. | Comment |
|---------|------|------------------------------------------|-------------|---------|
| 1 | 1 | Power transmission shaft L=1410 w/cutt.b | 2962148 | |
| 2 | 1 | Hexagon screw M10x50 qval. 8.8 | 2422256 | |
| 3 | 1 | Hexagon nut M8 qval.8.8 | 2481609 | |



Spare parts catalogue

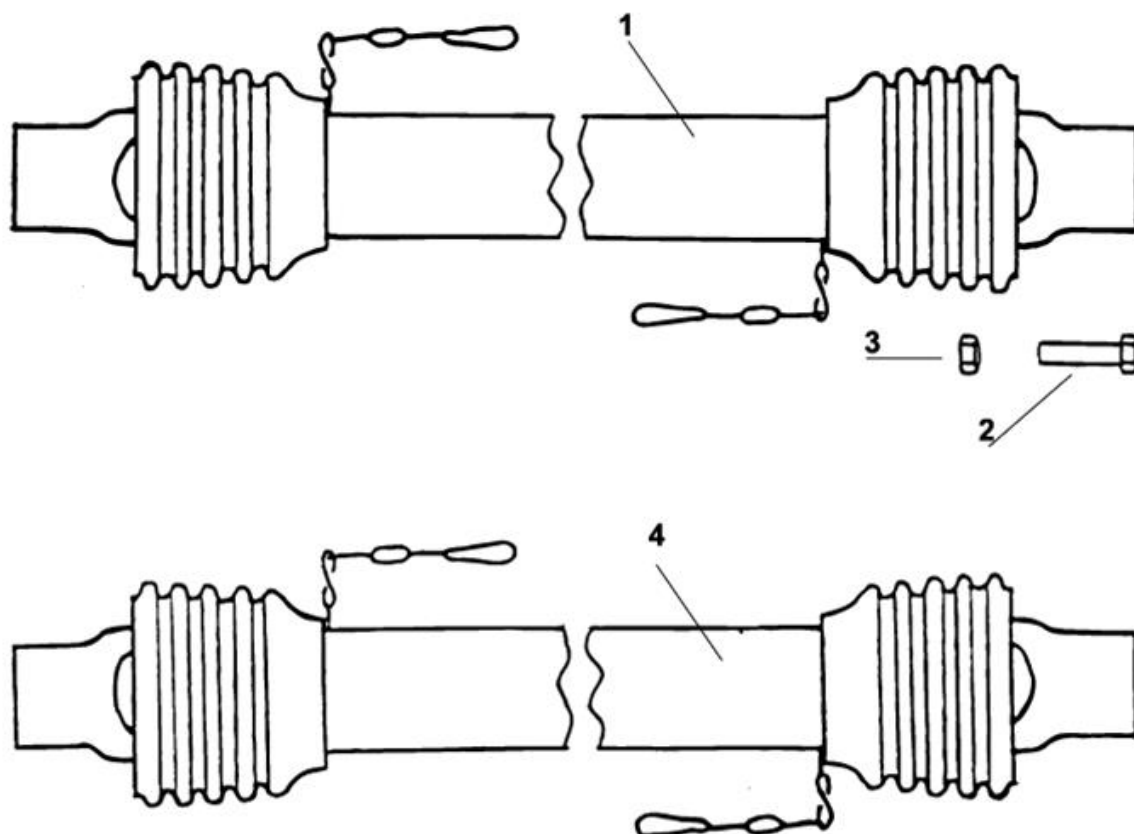
DUUN

Slurry pump SP200

Group: 131-2-3

Power transmission shaft combined slope pump

Edition: 0205





Spare parts catalogue

DUUN

Slurry pump SP200

| | | |
|----------------|----------------------------------------------|---------------|
| Group: 131-2-3 | Power transmission shaft combined slope pump | Edition: 0205 |
|----------------|----------------------------------------------|---------------|

| Pos.no. | Qty. | Designation | Article no. | Comment |
|---------|------|-------------------------------------------------|-------------|-----------|
| 1 | 1 | Power transmission shaft L=610 w/cutt.b. | 2962146 | to 2009 |
| 1 | 1 | Power transmission shaft 810 without cutt.b.AB4 | 2962164 | from 2009 |
| 2 | 1 | Hexagon screw M8x50 qval. 8.8 | 2422256 | |
| 3 | 1 | Hexagon nut M8 qval.8.8 | 2481609 | |
| 4 | 1 | Power transmission shaft L=1410 without cutt.b. | 2962147 | to 2009 |
| 4 | 1 | Power transmission shaft 1410 w/cutt.b.AB4 | 2962148 | from 2009 |



Spare parts catalogue

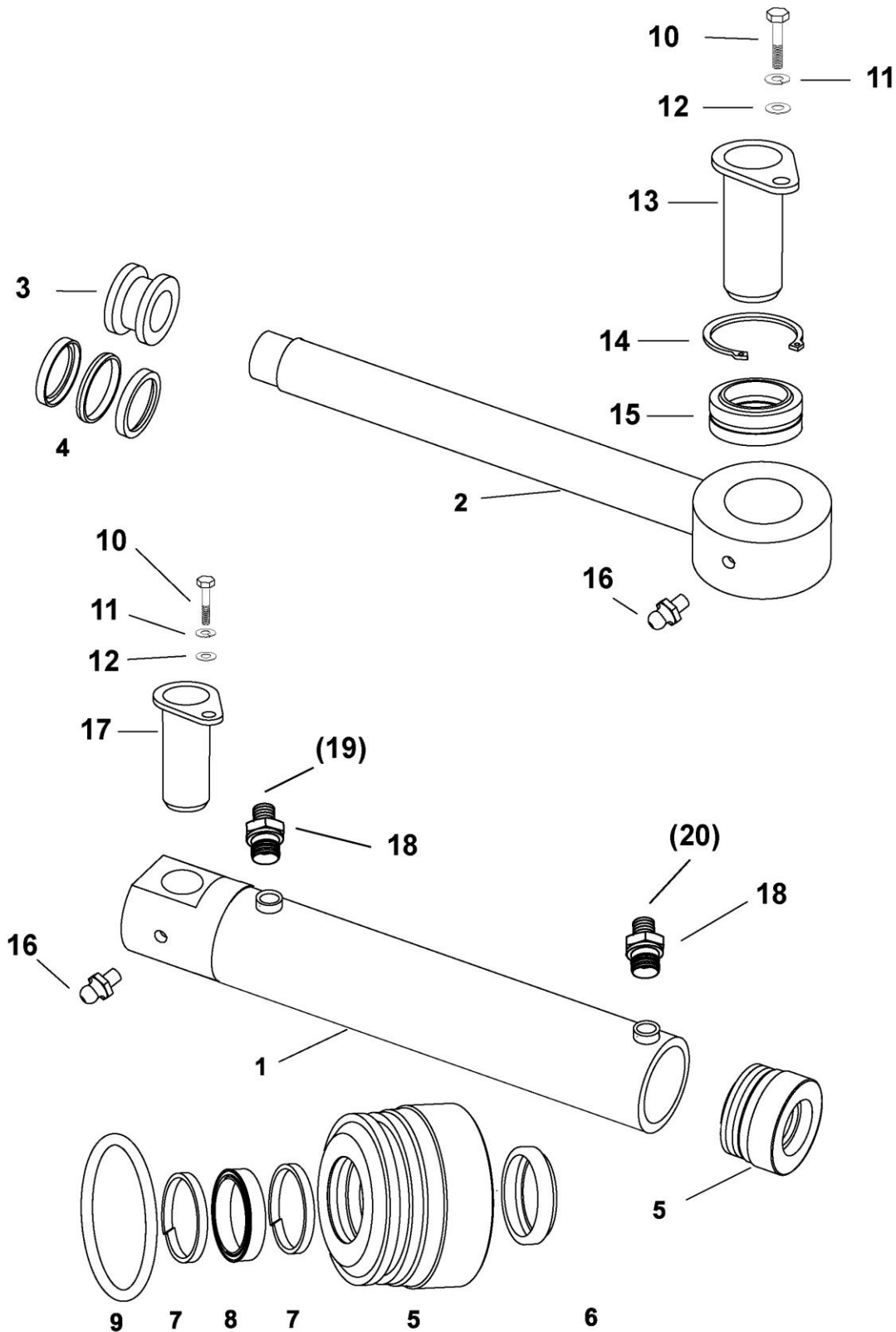
DUUN

Slurry pump SP200

Group: 131-2-3

Hydraulic cylinder

Edition: 0205





Spare parts catalogue

DUUN

Slurry pump SP200

| | | |
|----------------|--------------------|---------------|
| Group: 131-2-3 | Hydraulic cylinder | Edition: 0205 |
|----------------|--------------------|---------------|

| Pos.no. | Qty. | Designation | Article no. | Comment |
|---------|------|----------------------------------------------------|-------------|---------|
| 1 | 1 | Cylinder tube | 1312362 | |
| 2 | 1 | Piston rod | 1312363 | |
| 3 | 1 | Piston | 1235153 | |
| 4 | 1 | Compact seal SIMKO 320 80-66-16-32 | 2234360 | |
| 5 | 1 | Package box | 1233197 | |
| 6 | 1 | Wiper AUAS 40-50-7-10 | 2232833 | |
| 7 | 2 | Guide band | 1233153 | |
| 8 | 1 | Compact seal KL310 40-48-8-9 | 2232137 | |
| 9 | 1 | O-ring Ø72-5 | 2233070 | |
| 10 | 2 | Hexagon screw M10x20 8.8 galvanized | 2422295 | |
| 11 | 2 | Spring washer M10 galvanized | 2534060 | |
| 12 | 2 | Washer M10 galvanized | 2531060 | |
| 13 | 1 | Bolt for cylinder strut with three-point linkage | 1312365 | |
| 14 | 1 | Seeger ring | 2553262 | |
| 15 | 1 | Spherical bearing GE 40 ES | 2954140 | |
| 16 | 2 | Grease nipple | 2478410 | |
| 17 | 1 | Bolt for cylinder/strut with adjustable attachment | 1312366 | |
| 18 | 2 | Hexagon nipple R3/8" 12mm | 2957749 | |
| 19 | 1 | Hydraulic hose L-2000 | 2958113 | |
| 20 | 1 | Hydraulic hose L-1600 | 2958109 | |
| | | Complete hydraulic cylinder with hoses | 1312364 | |



Spare parts catalogue

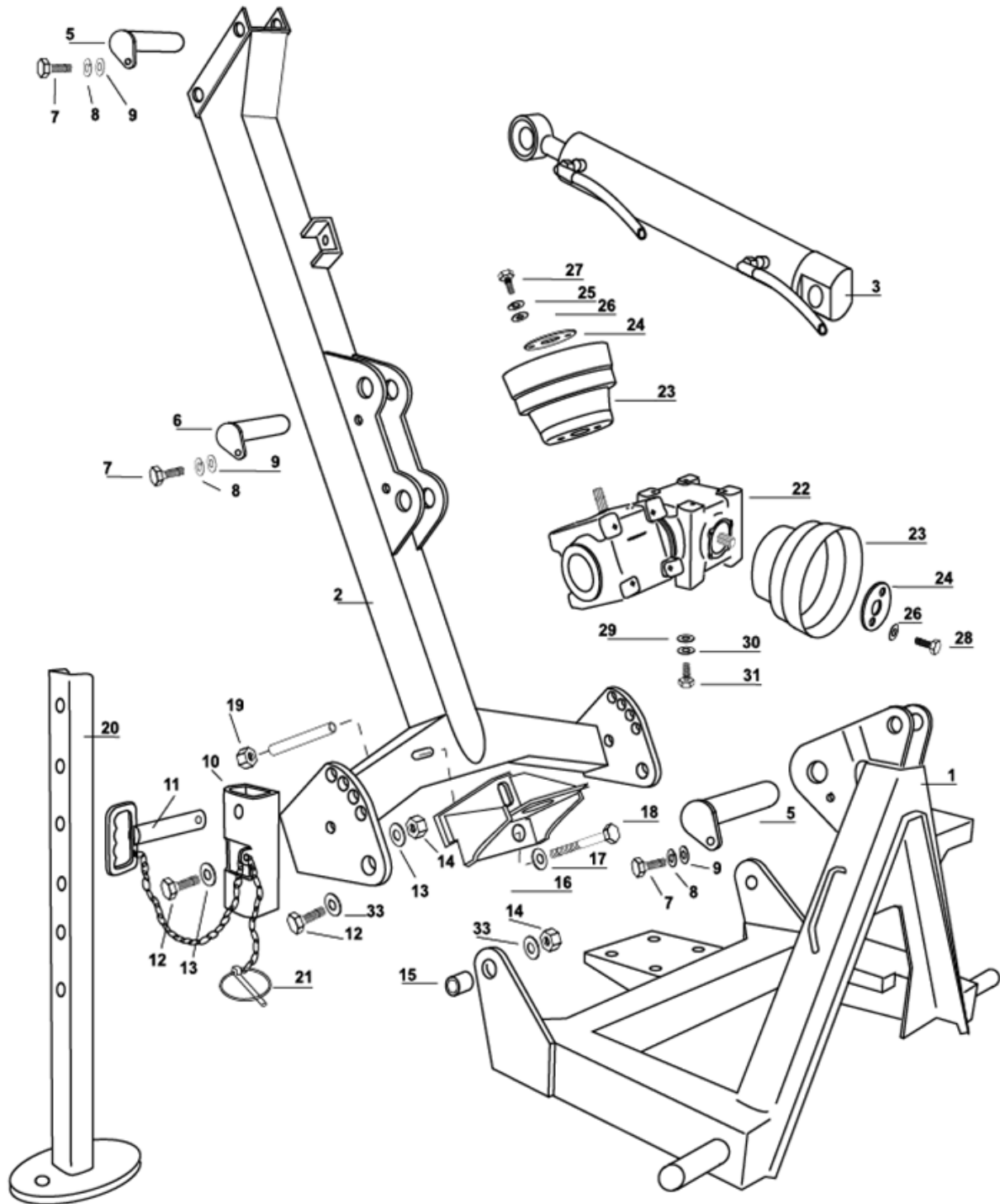
DUUN

Slurry pump SP200

Group: 131-2-3

Tractor attachment inclined combi pump

Edition: 0205





Spare parts catalogue

DUUN

Slurry pump SP200

| | | |
|----------------|----------------------------------------|---------------|
| Group: 131-2-3 | Tractor attachment inclined combi pump | Edition: 0205 |
|----------------|----------------------------------------|---------------|

| Pos.no. | Qty. | Designation | Article no. | Comment |
|---------|------|--------------------------------------------------|-------------|---------|
| 1 | 1 | Three-point linkage | 1312334 | |
| 2 | 1 | Pump attachment | 1312333 | |
| 3 | 1 | Hydraulic cylinder for combi pump | 1312364 | |
| 4 | 1 | Strut for inclined pump | 1312391 | |
| 5 | 3 | Bolt for cylinder/strut with three-point linkage | 1312365 | |
| 6 | 1 | Bolt for cylinder/strut at boom | 1312366 | |
| 7 | 2 | Hexagon screw M10x20 galvanized | 2422295 | |
| 8 | 2 | Spring washer M10 galvanized | 2534060 | |
| 9 | 2 | Washer M10 galvanized | 2531060 | |
| 10 | 2 | Holder for support legs | 1311942 | |
| 11 | 2 | Adjustment bolt for support leg | 1311944 | |
| 12 | 4 | Hexagon screw M16x60 galvanized | 2422495 | |
| 13 | 8 | Washer M16 galvanized | 2531078 | |
| 14 | 4 | Hexagon nut M 20 locking, galvanized | 2483613 | |
| 15 | 2 | Bushing | 1312377 | |
| 16 | 1 | Gearbox support | 1312376 | |
| 17 | 2 | Washer M12 galvanized | 2531069 | |
| 18 | 1 | Hexagon screw M12x150 galvanized | 2422370 | |
| 19 | 1 | Hexagon nut M 12 locking, galvanized | 2483611 | |
| 20 | 2 | Support leg | 1312387 | |
| 21 | 2 | Locking pin w/chain | 2556127 | |
| 22 | 1 | Gearbox, Comer | 2961181 | |
| 23 | 2 | Protection funnel | 2962135 | |
| 24 | 2 | Fixing washer | 1312379 | |
| 25 | 2 | Spring washer M8 galvanized | 2534047 | |
| 26 | 4 | Washer M8 hot galvanized | 2531047 | |
| 27 | 2 | Hexagon screw M8x25 hot galvanized | 2427246 | |
| 28 | 2 | Hexagon screw M8x16 hot galvanized | 2427240 | |
| 29 | 4 | Washer M12 galvanized | 2531069 | |
| 30 | 4 | Spring washer M12 galvanized | 2534069 | |
| 31 | 4 | Hexagon screw M12x30 galvanized | 2422348 | |



Spare parts catalogue

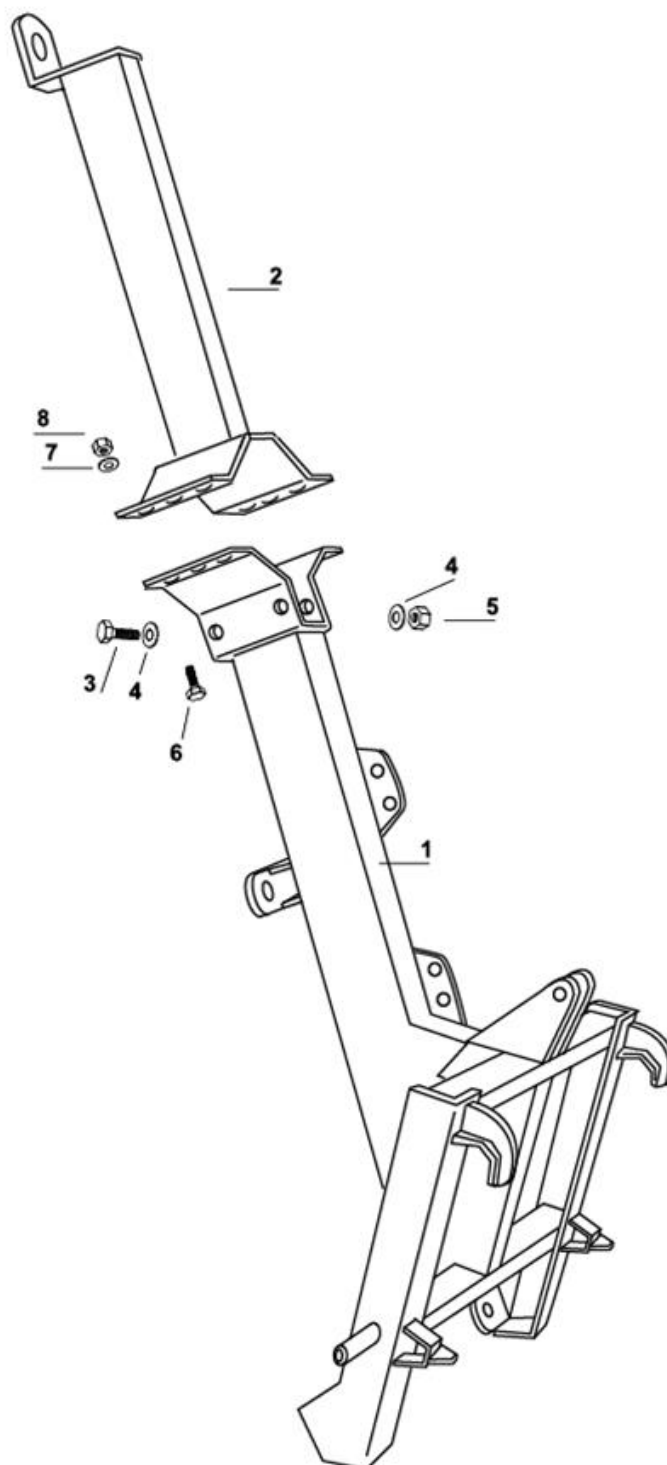
DUUN

Slurry pump SP200

Group: 131-2-3

Rod pump tractor Trima SMS attachment

Edition: 0205





Spare parts catalogue

DUUN

Slurry pump SP200

| | | |
|----------------|---------------------------------------|---------------|
| Group: 131-2-3 | Rod pump tractor Trima SMS attachment | Edition: 0205 |
|----------------|---------------------------------------|---------------|

| Pos.no. | Qty. | Designation | Article no. | Comment |
|---------|------|--------------------------------------|----------------|---------|
| 1 | 1 | Loading frame | 1312388 | |
| 2 | 1 | Support arm | 1312389 | |
| 3 | 4 | Hexagon screw M16x150 galvanized | 2422507 | |
| 4 | 8 | Washer M16 galvanized | 2531078 | |
| 5 | 4 | Hexagon nut M16 lock. galvanized | 2483613 | |
| 6 | 6 | Hexagon screw M10x30 galvanized | 2422299 | |
| 7 | 6 | Washer M10 galvanized | 2531060 | |
| 8 | 6 | Hexagon nut M10 lock. galvanized | 2483610 | |
| | | Complete TRIMA SMS attachment | 1312516 | |



Spare parts catalogue

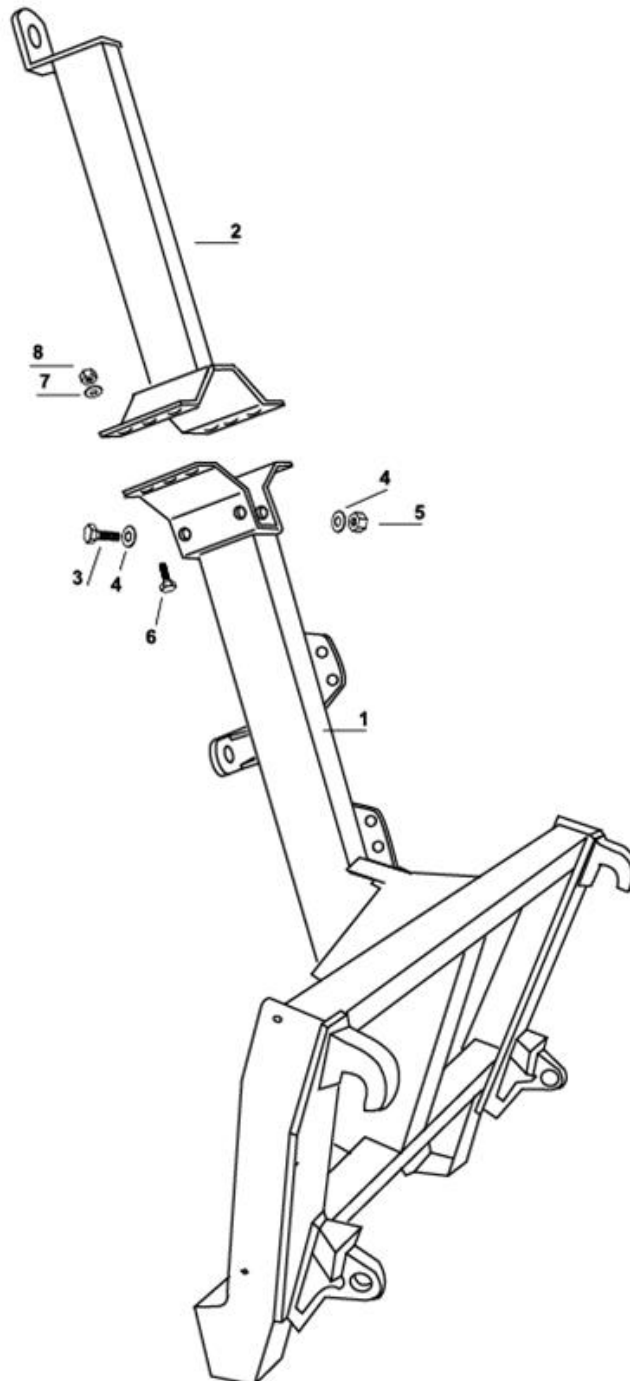
DUUN

Slurry pump SP200

Group: 131-2-3

Rod pump tractor Euro attachment

Edition: 0205





Spare parts catalogue

DUUN

Slurry pump SP200

| | | |
|----------------|----------------------------------|---------------|
| Group: 131-2-3 | Rod pump tractor Euro attachment | Edition: 0205 |
|----------------|----------------------------------|---------------|

| Pos.no. | Qty. | Designation | Article no. | Comment |
|---------|------|----------------------------------|----------------|---------|
| 1 | 1 | Loading frame EURO | 1312920 | |
| 2 | 1 | Support arm | 1312389 | |
| 3 | 4 | Hexagon screw M16x150 galvanized | 2422507 | |
| 4 | 8 | Washer M10 galvanized | 2531060 | |
| 5 | 4 | Hexagon nut M16 lock. galvanized | 2483613 | |
| 6 | 6 | Hexagon screw M10x30 galvanized | 2422299 | |
| 7 | 6 | Washer M10 lock. galvanized | 2531060 | |
| 8 | 6 | Hexagon nut M10 lock. galvanized | 2483610 | |
| | | Complete EURO attachment | 1312323 | |



Spare parts catalogue

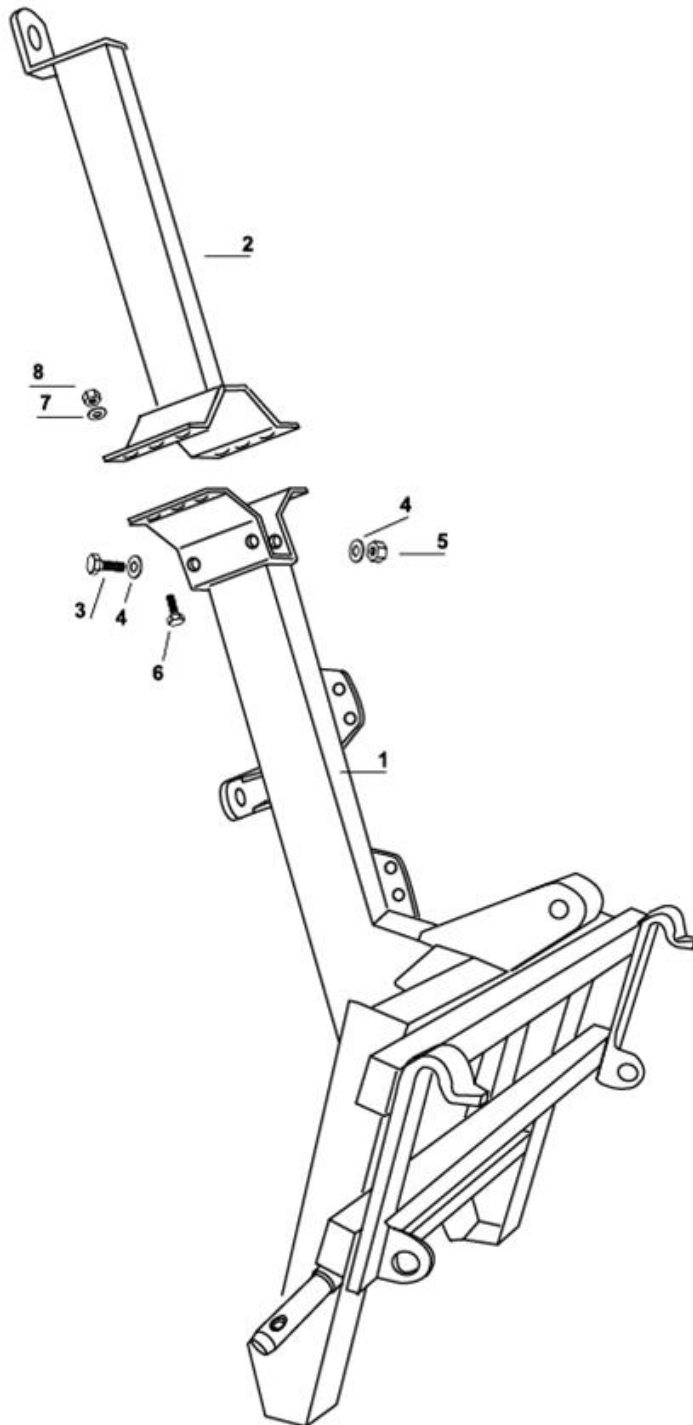
DUUN

Surry pump SP200

Group: 131-2-3

Rod pump tractor Ålø attachment

Edition: 0205





Spare parts catalogue

DUUN

Surry pump SP200

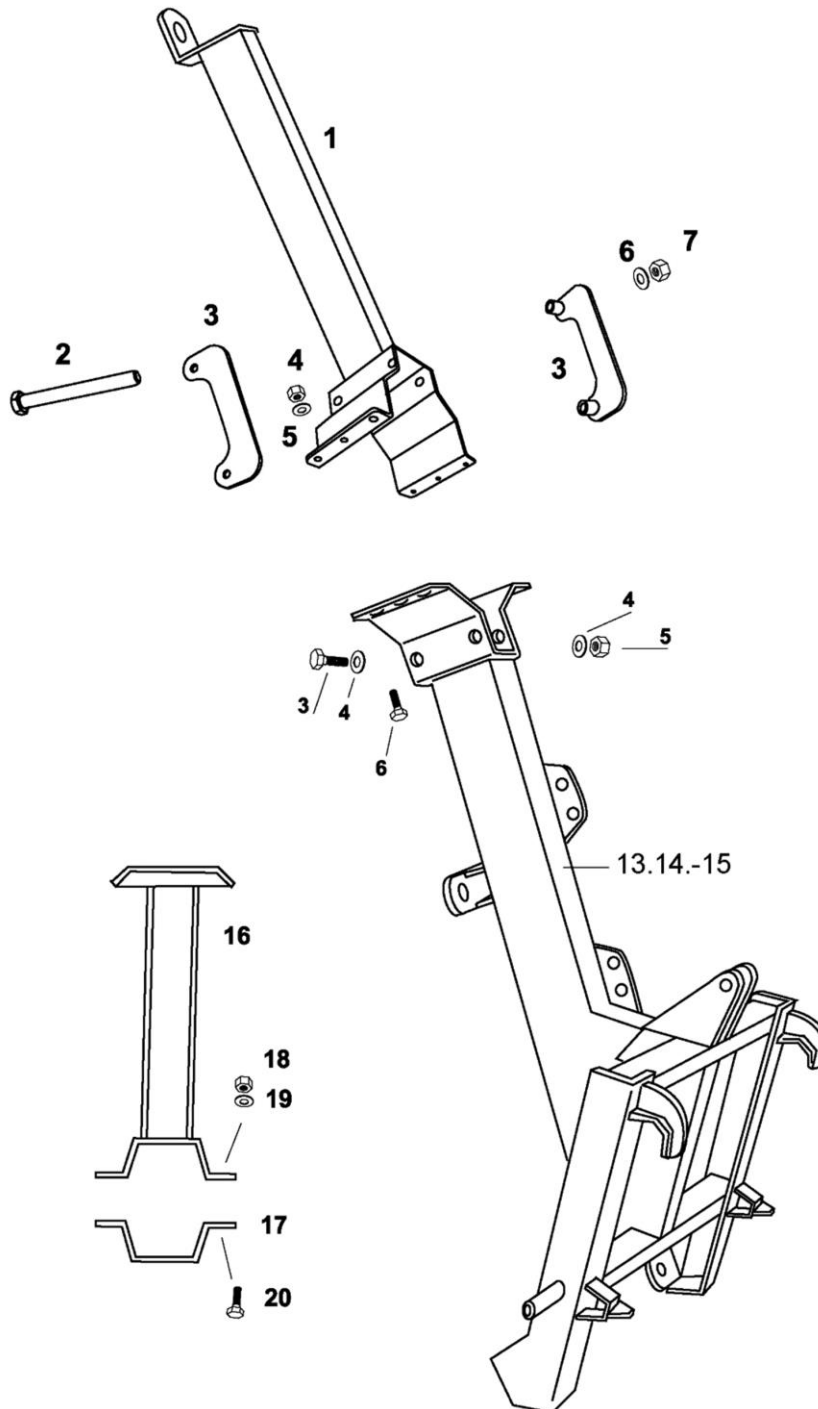
| | | |
|----------------|---------------------------------|---------------|
| Group: 131-2-3 | Rod pump tractor Ålø attachment | Edition: 0205 |
|----------------|---------------------------------|---------------|

| Pos.no. | Qty. | Designation | Article no. | Comment |
|---------|------|----------------------------------|----------------|---------|
| 1 | 1 | Loading frame ÅLØ | 1312910 | |
| 2 | 1 | Support arm | 1312389 | |
| 3 | 4 | Hexagon screw M16x150 galvanized | 2422507 | |
| 4 | 8 | Washer M16 galvanized | 2531078 | |
| 5 | 4 | Hexagon nut M16 lock. galvanized | 2483613 | |
| 6 | 6 | Hexagon screw M10x30 galvanized | 2422299 | |
| 7 | 6 | Washer M10 galvanized | 2531060 | |
| 8 | 6 | Hexagon nut M10 lock. galvanized | 2483610 | |
| | | Complete ÅLØ attachment | 1312313 | |



Spare parts catalogue
DUUN
Slurry pump SP200

Group: 131-2-3 | Mirrored rod pump tractor attachment | Edition: 0205





Spare parts catalogue

DUUN

Slurry pump SP200

| | | |
|----------------|--------------------------------------|---------------|
| Group: 131-2-3 | Mirrored rod pump tractor attachment | Edition: 0205 |
|----------------|--------------------------------------|---------------|

| Pos.no. | Qty. | Designation | Article no. | Comment |
|---------|------|----------------------------------------|-------------|---------|
| 1 | 1 | Support arm for mirrored rod pump | 1312635 | |
| 2 | 4 | Hexagon screw M16x260 | 2422515 | |
| 3 | 4 | Reinforcement plate | 1312634 | |
| 4 | 6 | Hexagon nut M10 locking galvanized | 2483610 | |
| 5 | 6 | Washer M10 galvanized | 2531060 | |
| 6 | 4 | Washer M16 galvanized | 2531078 | |
| 7 | 4 | Hexagon nut M16 locking galvanized | 2483613 | |
| 13 | 1 | Loading frame TRIMA SMS | 1312388 | |
| 14 | 1 | Loading frame ÅLØ | 1312632 | |
| 15 | 1 | Loading frame EURO | 1312631 | |
| 16 | 1 | Support leg for mirrored standard pump | 1312633 | |
| 17 | 1 | Tube clamp lower mirror facing st.pump | 1312541 | |
| 18 | 4 | Hexagon nut M10 galvanized | 2483610 | |
| 19 | 4 | Washer M10 galvanized | 2531060 | |
| 20 | 4 | Hexagon screw M10x30 galvanized | 2422299 | |

Complete mirrored TRIMA SMS attachment 1312317

Complete mirrored EURO attachment 1312324

Complete mirrored ÅLØ attachment 1312314



Spare parts catalogue

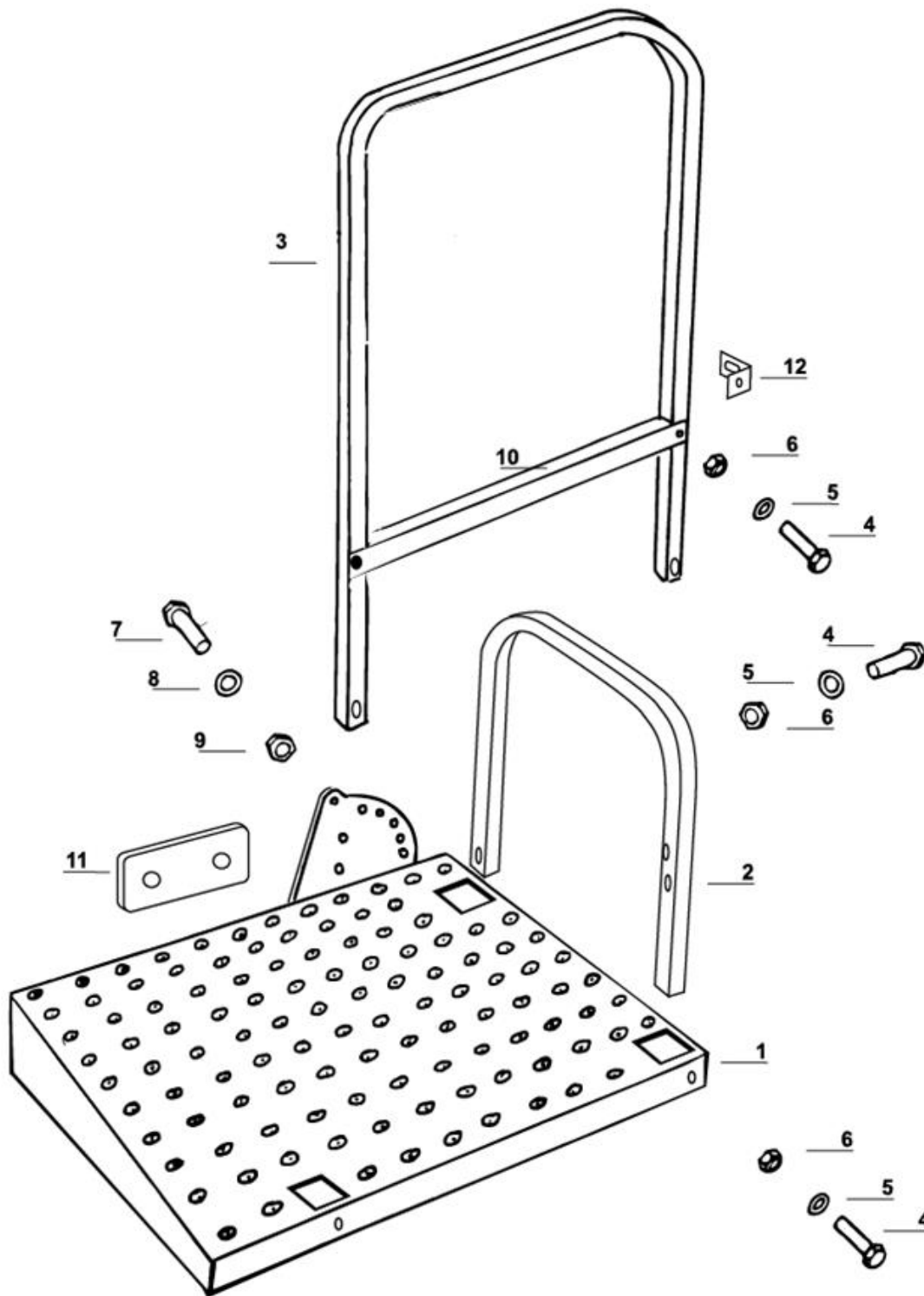
DUUN

Slurry pump SP200

Group: 131-2-3

Work platform

Edition: 0205





Spare parts catalogue

DUUN

Slurry pump SP200

| | | |
|----------------|---------------|---------------|
| Group: 131-2-3 | Work platform | Edition: 0205 |
|----------------|---------------|---------------|

| Pos.no. | Qty. | Designation | Article no. | Comment |
|---------|------|----------------------------------|-------------|---------|
| 1 | 1 | Platform | 1312367 | |
| 2 | 1 | Handrail, narrow | 1312385 | |
| 3 | 1 | Handrail, wide | 1312378 | |
| 4 | 7 | Hexagon screw M8x45 galvanized | 2427254 | |
| 5 | 7 | Washer M8 galvanized | 2531047 | |
| 6 | 7 | Hexagon nut M8 lock. galvanized | 2483609 | |
| 7 | 1 | Hexagon screw M16x60 galvanized | 1422495 | |
| 8 | 1 | Washer M16 galvanized | 2531078 | |
| 9 | 1 | Hexagon nut M16 lock. galvanized | 2483613 | |
| 10 | 1 | Handrail part | 1312386 | |
| 11 | 1 | Spacer plate | 1312384 | |
| 12 | 1 | Fastening for handrails | 1311981 | |



Spare parts catalogue

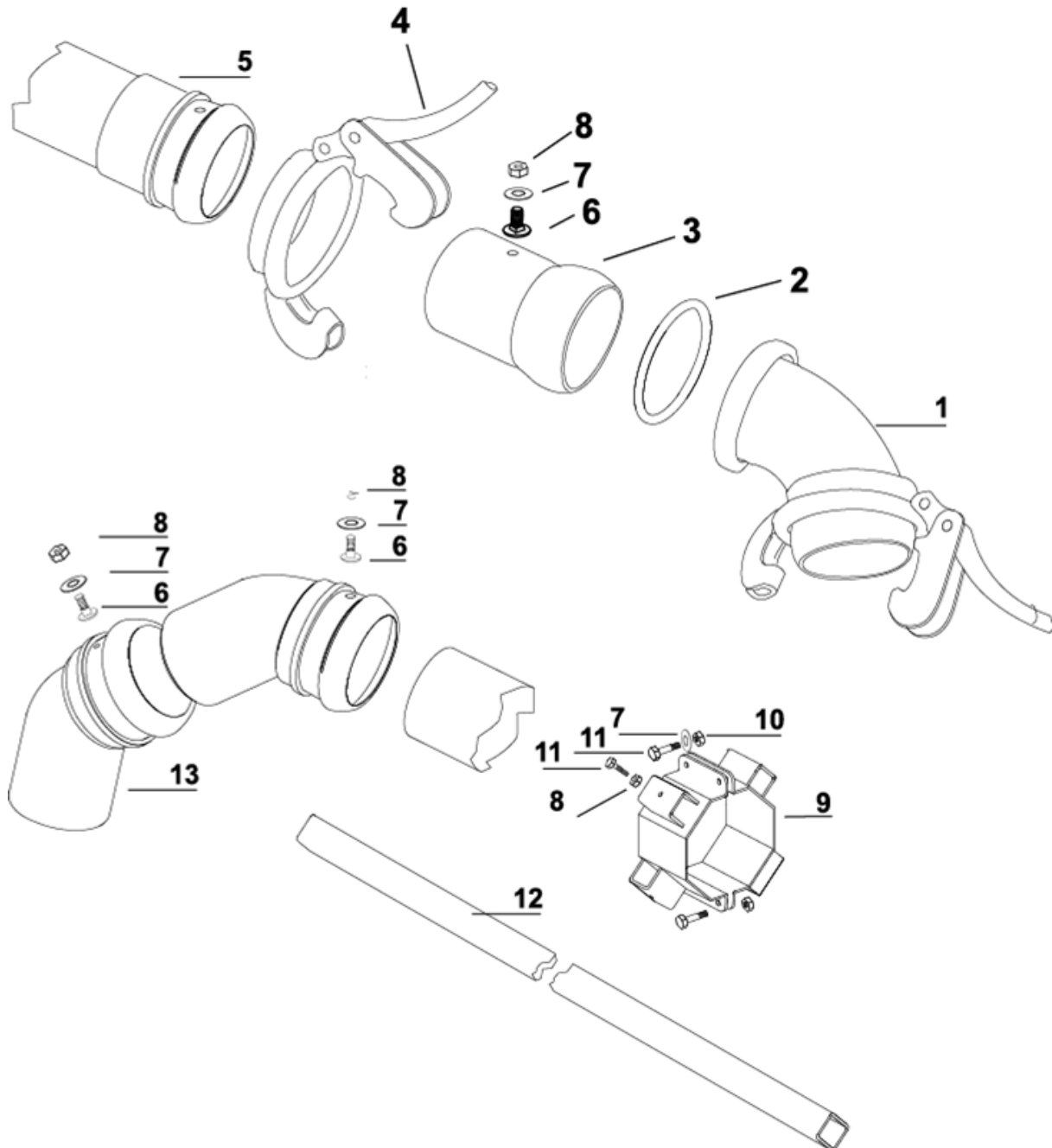
DUUN

Slurry pump SP200

Group: 131-2-3

Loading system inclined combi

Edition: 0205





Spare parts catalogue

DUUN

Slurry pump SP200

| | | |
|----------------|-------------------------------|---------------|
| Group: 131-2-3 | Loading system inclined combi | Edition: 0205 |
|----------------|-------------------------------|---------------|

| Pos.no. | Qty. | Designation | Article no. | Comment |
|---------|------|---------------------------------------------|-------------|---------|
| 1 | 1 | Bauer coupling 6" male/female with 60' bend | 1312020 | |
| 1 | 1 | Bauer Coupling 6" male/ female.mm/45'-bend | 1312021 | |
| 1 | 1 | Bauer coupling 6" male/female with 90' bend | 1312022 | |
| 2 | 1 | O-ring, included in bend | 2957104 | |
| 3 | 1 | Bauer coupling 6" male with tube ø 159 | 2957105 | |
| 4 | 1 | Clamping ring for bauer connection | 2957109 | |
| 5 | 1 | Plastic tube PP 6" w/socket L: 4m | 2244216 | |
| 6 | 3 | Locking head screw M8x25 | 2441246 | |
| 7 | 7 | Washer M8 hot galvanized | 2539048 | |
| 8 | 5 | Hexagon nut M8 hot galvanized | 2481809 | |
| 9 | 2 | Loading tube rack | 1312026 | |
| 10 | 4 | Locking nut M8 | 2483609 | |
| 11 | 6 | Hexagon screw m8x25 hot galvanized | 2427246 | |
| 12 | 2 | Legs for the rack L=3m | 1311899 | |
| 13 | 2 | Plastic bend PP 45' | | |



Spare parts catalogue

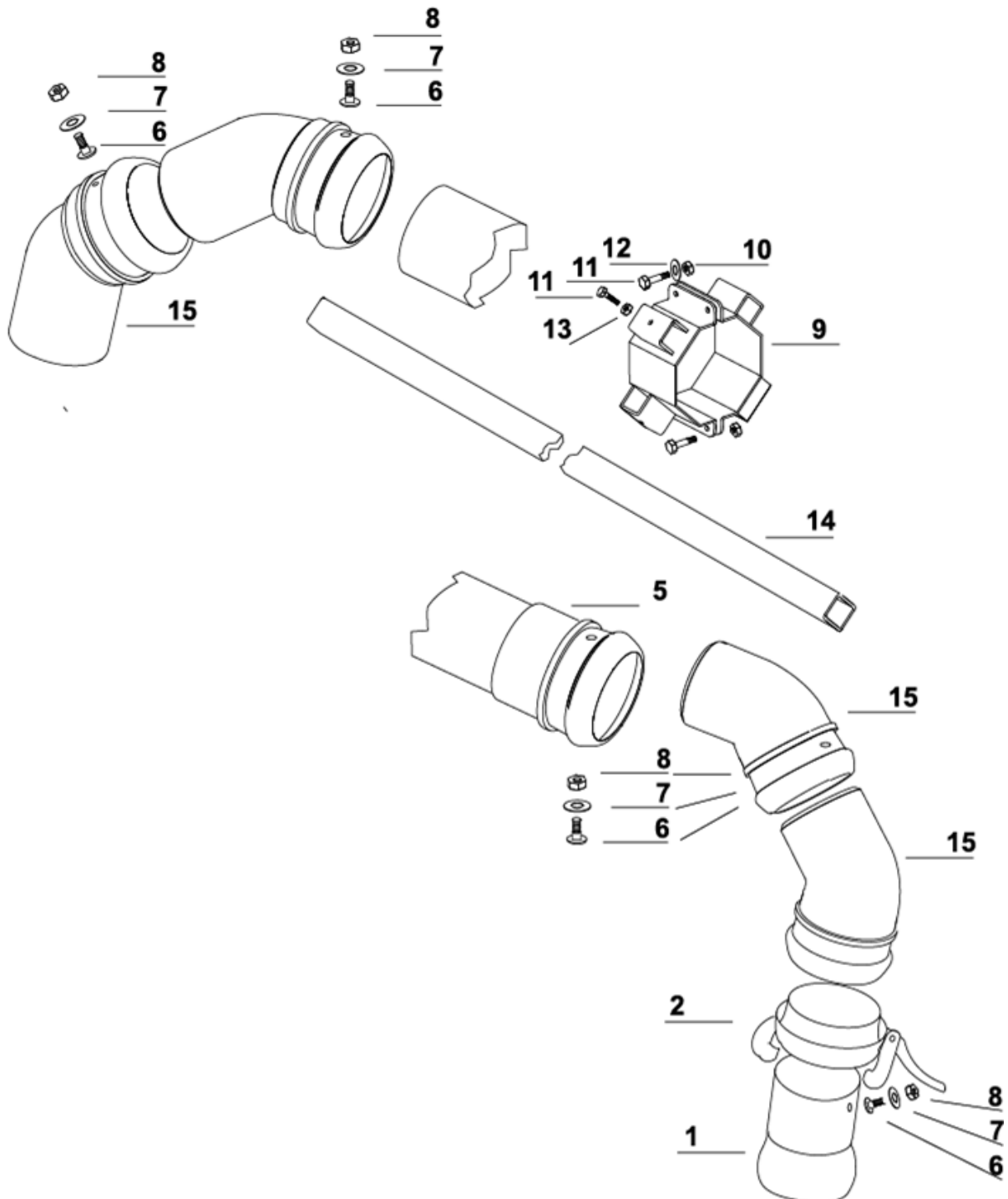
DUUN

Slurry pump SP200

Group: 131-2-3

Rod pumping loading system

Edition: 0205





Spare parts catalogue

DUUN

Slurry pump SP200

| | | |
|----------------|----------------------------|---------------|
| Group: 131-2-3 | Rod pumping loading system | Edition: 0205 |
|----------------|----------------------------|---------------|

| Pos.no. | Qty. | Designation | Article no. | Comment |
|---------|------|-------------------------------------------------------------|-------------|---------|
| 1 | 1 | Bauer coupling 6" male w/tube connection, \varnothing 159 | 2957105 | |
| 2 | 1 | Clamping ring for bauer connection 6 " | 2957109 | |
| 5 | 1 | Plastic tube PP 6 "w/ sleeve L: 4m | 2244216 | |
| 6 | 5 | Locking head screw M8x25 | 2441246 | |
| 7 | 5 | Washer M8 hot galvanized | 2539048 | |
| 8 | 5 | Hexagon nut M8 hot galvanized | 2481809 | |
| 9 | 2 | Loading tube rack | 1312026 | |
| 10 | 4 | Locking nut M8 hot galvanized | 2483609 | |
| 11 | 6 | Hexagon screw M8x25 hot galvanized | 2427246 | |
| 12 | 4 | Washer M8 hot galvanized | 2539048 | |
| 13 | 4 | Hexagon nut M8 hot galvanized | 2481809 | |
| 14 | 2 | Support legs for rack L: 3m | 1311899 | |
| 15 | 4 | Plastic bend PP 45' | 2245080 | |



Spare parts catalogue

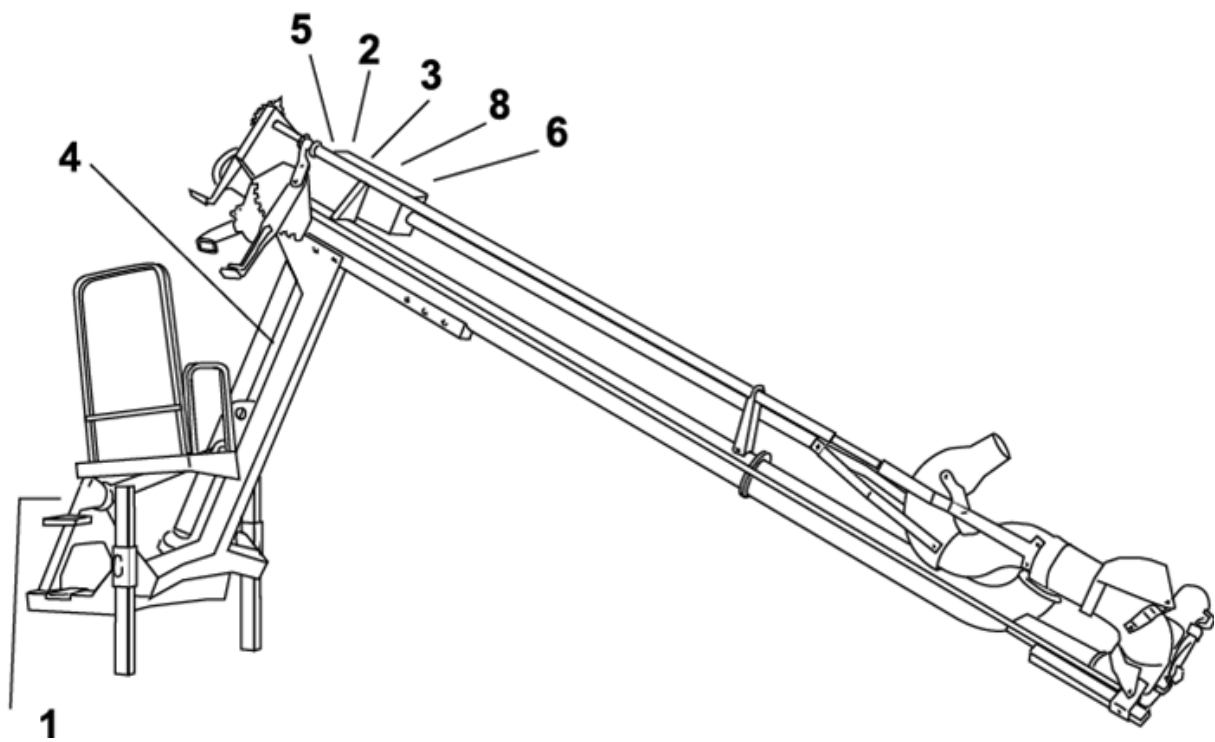
DUUN

Slurry pump SP200

Group: 131-2-3

Stickers

Edition: 0205





Spare parts catalogue

DUUN

Slurry pump SP200

| | | |
|----------------|----------|---------------|
| Group: 131-2-3 | Stickers | Edition: 0205 |
|----------------|----------|---------------|

| Pos.no. | Qty. | Designation | Article no. | Comment |
|---------|------|-------------------------|-------------|---------|
| 1 | 1 | Crush hazard of tractor | 2935069 | |
| 2 | 1 | 540 RPM | 2935061 | |
| 3 | 1 | Read instruction manual | 2935064 | |
| 4 | 1 | Hearing protection | 2935067 | |
| 5 | 1 | Danger of hanging loads | 2935066 | |
| 6 | 1 | CE mark | 2935063 | |
| 7 | 1 | Warm surfaces | 2935085 | |
| 8 | 1 | Gearbox maintenance | 2935054 | |